

Half Round: Installation

Mounting Instructions



Wall Mounted Configuration
(end HVAC connection)



Ceiling Mounted Configuration
(back / top HVAC connection)

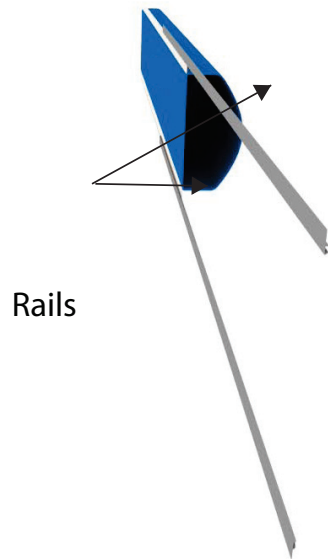
For more information, contact:



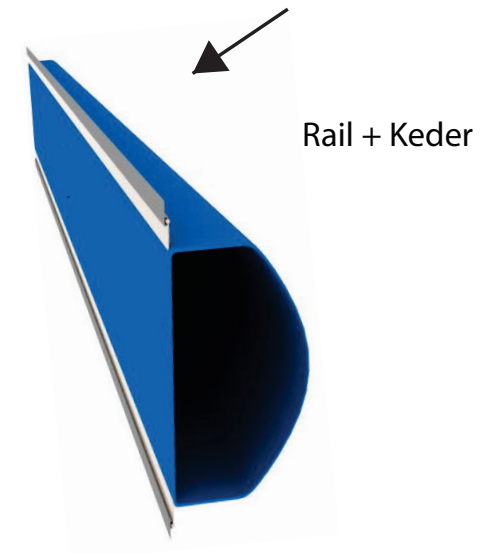
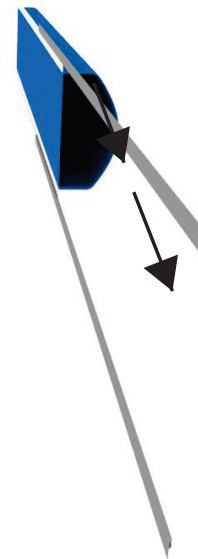
Mike Knott
MAK & Associates, LLC.
Dir.: 630.739.2966
sales@mak-hvac.com
www.mak-hvac.com

Half Round: Wall Installation

1. Separate all the pieces.
2. Mount the **rails** to mounting surface (mounting fasteners by others).

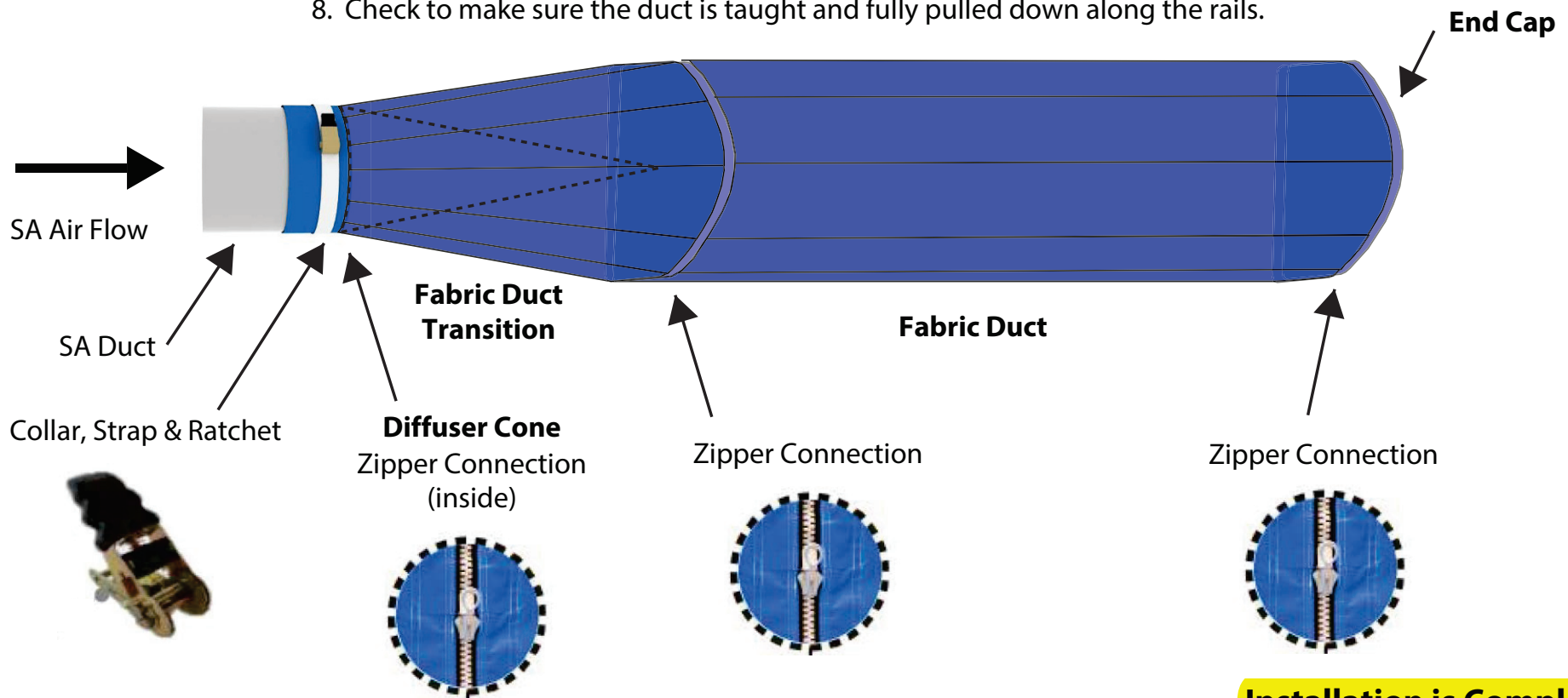


3. Mount **keder** connection in the rail slot and slide the duct down the rail.



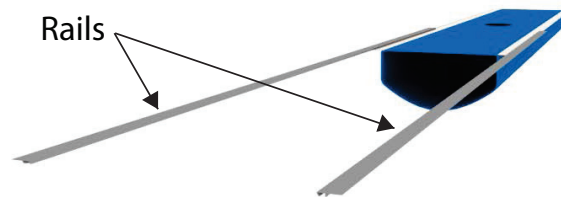
Half Round: Wall Installation

4. Mount the transition piece onto duct with collar, strap & ratchet.
5. Zip connect the diffuser cone to the interior of transition piece.
6. Zip connect the transition piece to the fabric supply duct.
7. Zip connect end cap to fabric supply duct.
8. Check to make sure the duct is taugt and fully pulled down along the rails.

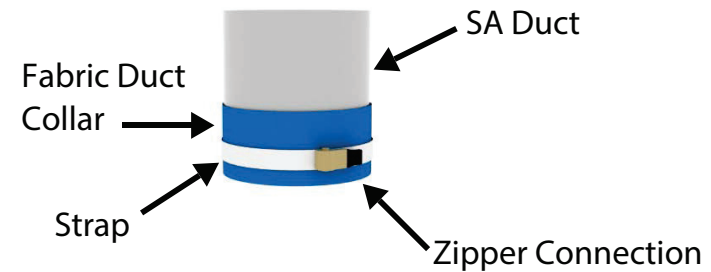


Half Round: Ceiling Installation

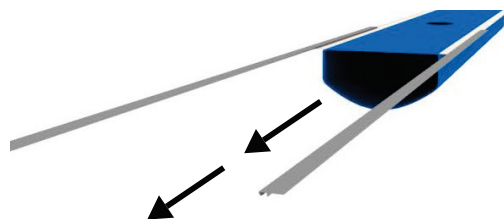
1. Separate all the pieces.
2. Mount the **rails** to mounting surface (mounting fasteners by others).



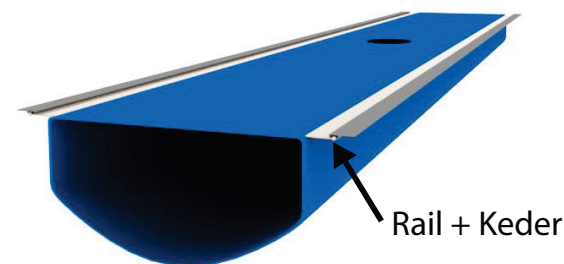
3. Connect fabric duct **collar** with strap & ratchet to the SA duct.



4. Mount **keder** connection in the rail slots.

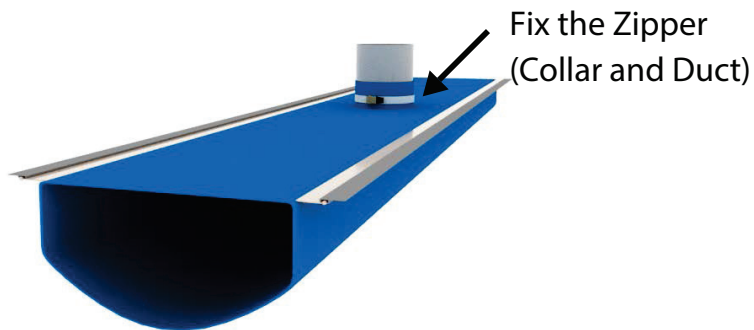


5. Slide the duct down the rail.



Half Round: Ceiling Installation

6. Zip connect the **neck** (inside duct) to the fabric duct.



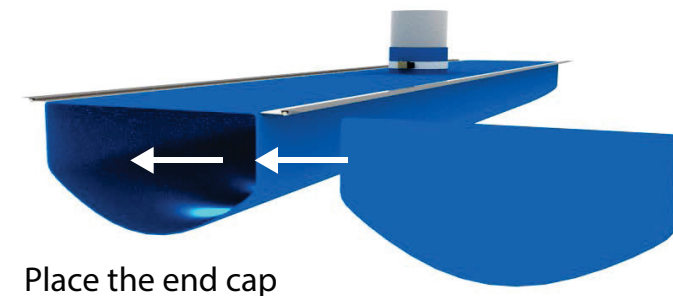
7. Zip connect the **diffuser cone** (inside) to the duct.



Diffuser Cone placement.



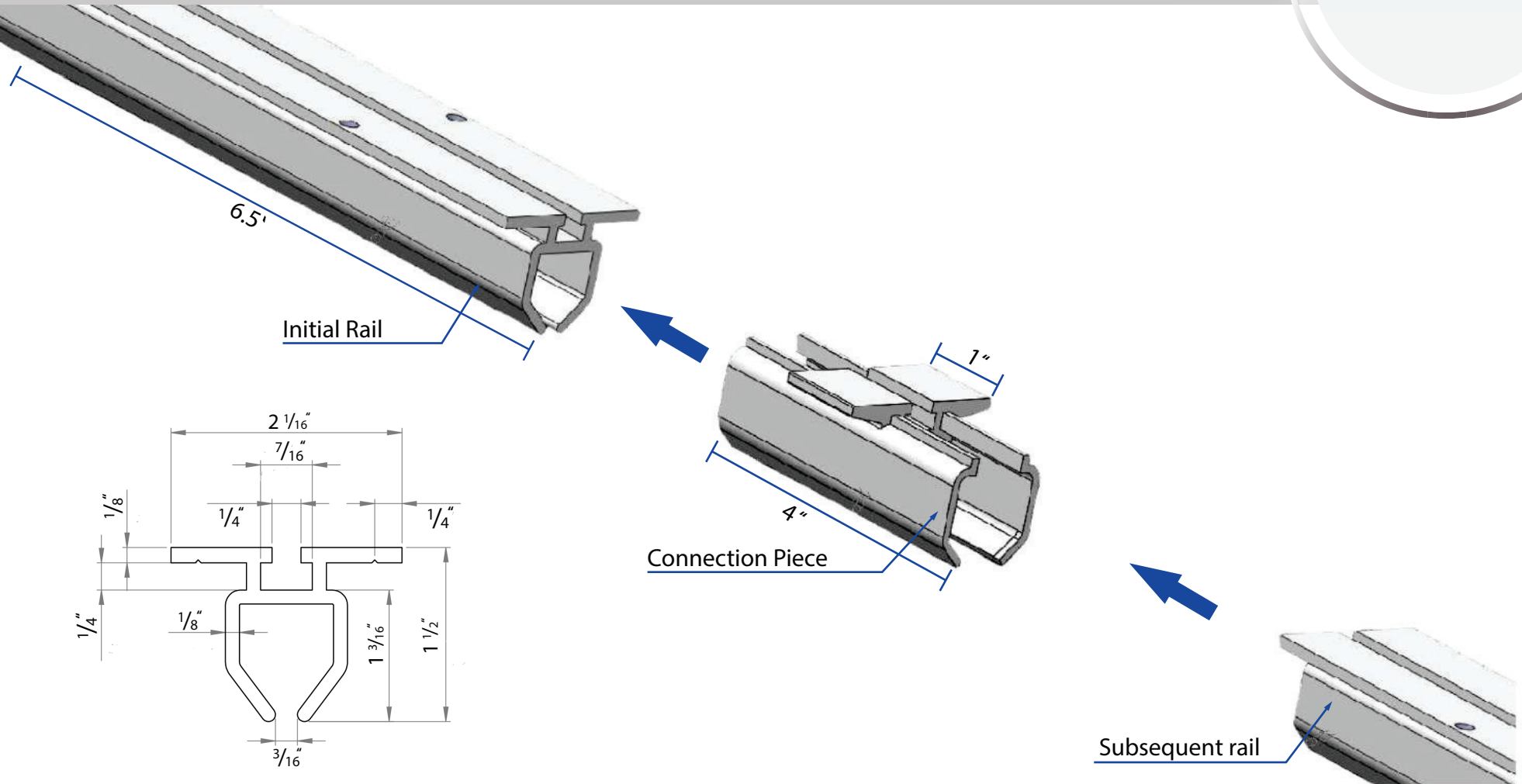
8. Zip connect the **end cap** to the duct.



Installation is Completed!

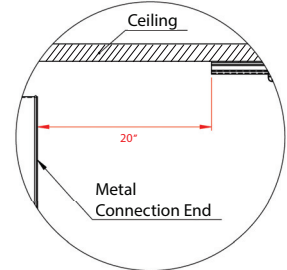
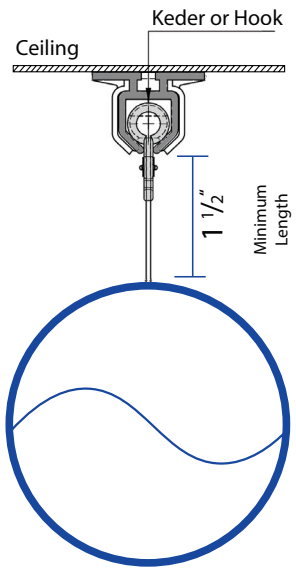
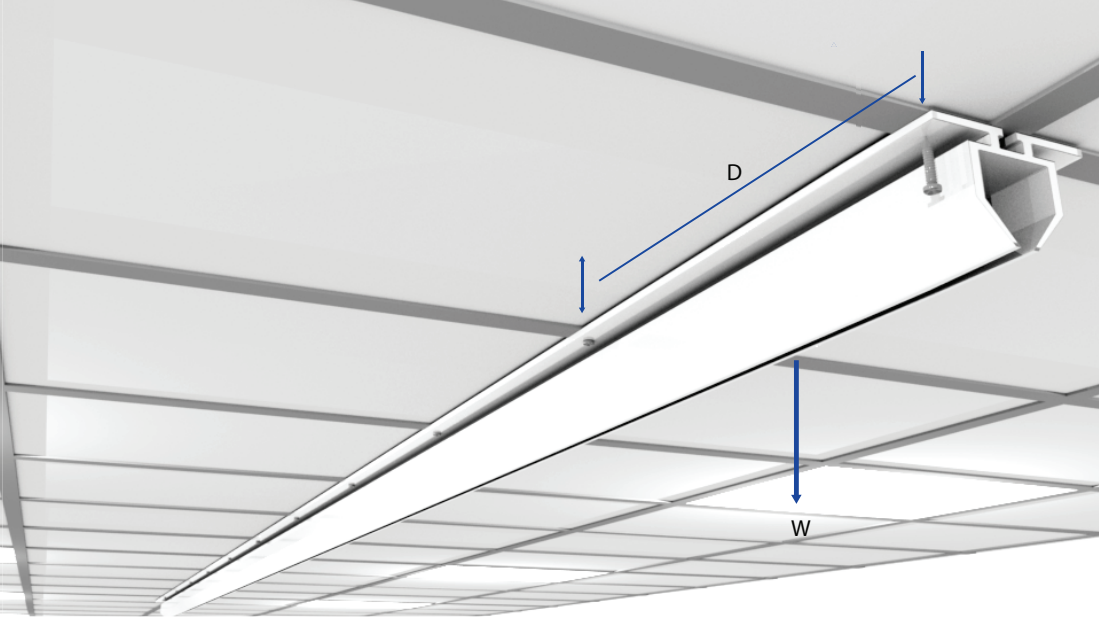
PVC RAIL

SoftDucts, LLC.



- With the help of a measuring laser or another tracing element, draw a straight line.
- Once the rail is fixed, join the connection piece. Position the subsequent rail at the other end of the connection piece.
- Repeat this procedure until the desired length is reached.

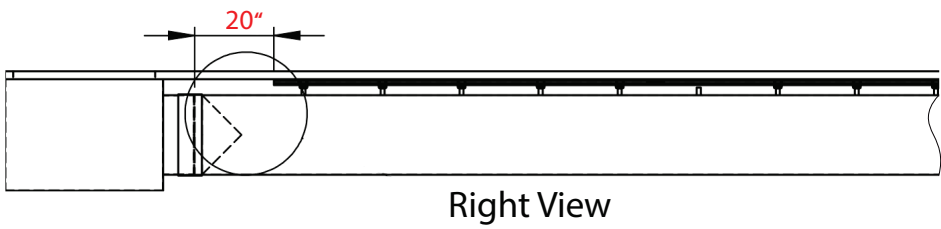
Details of ceiling connection for PVC Rail



Separation between screws / threaded rod

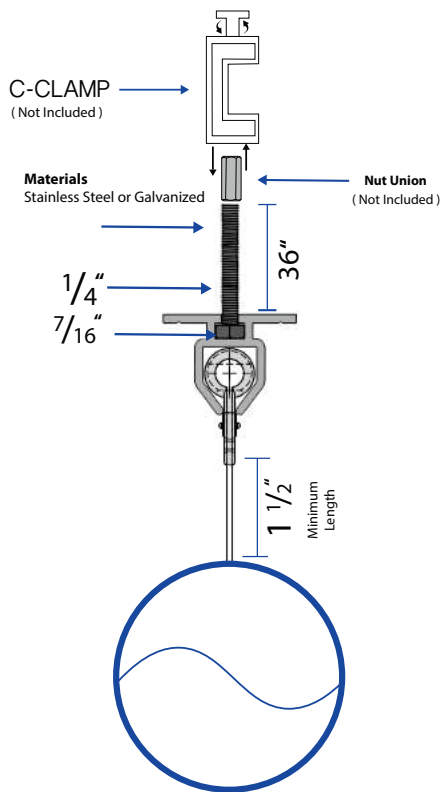
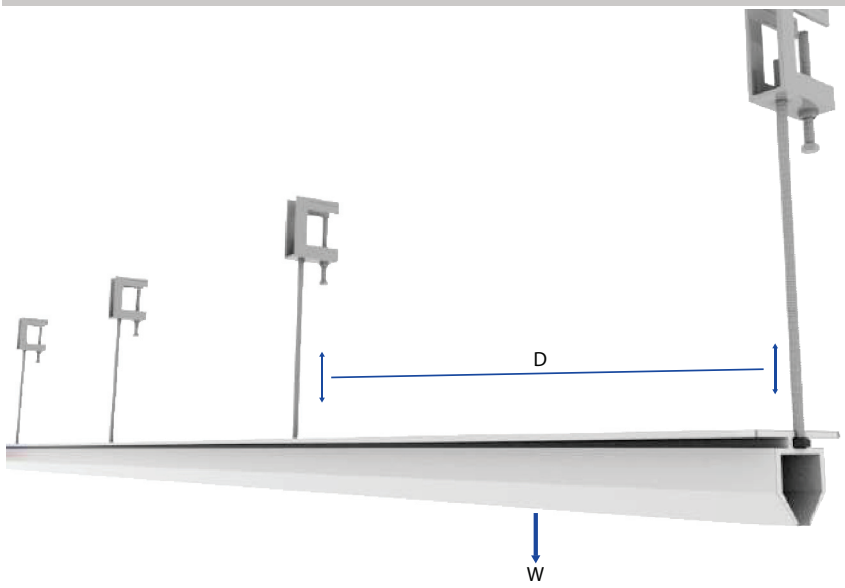
D	2 Ft	3 Ft	4 Ft
W	60 lbs	20 lbs	6 lbs

Maximum weight resistance per feet

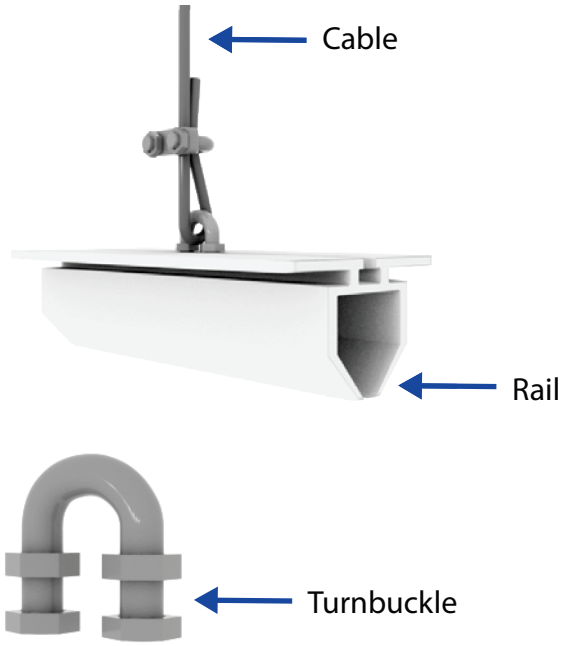


Details of Suspended Threaded Rod connection for PVC Rail

SoftDucts, LLC.



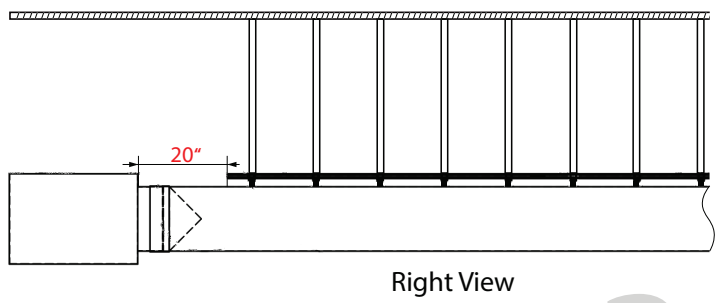
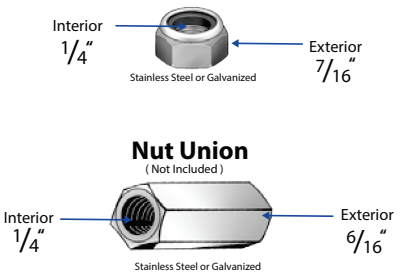
Cable Installation



Separation between screws / threaded rod

D	2 Ft	3 Ft	4 Ft
W	60 lbs	20 lbs	6 lbs

Maximum weight resistance per feet



Rail Weight Support per Diameter



Rail Weight Support per Diameter

Oz/yd ²	6.3	4.0	3.0	7.6	8.8	
	Premium (lbs)	PP (lbs)	Full Color (lbs)	Kristal (lbs)	Pyro (lbs)	Aluminum Ring
Length (Ft)	4					
Diameter						
18	3.16	2.02	1.52	3.79	4.42	0.14
24	4.21	2.70	2.02	5.06	5.90	0.19
30	5.27	3.37	2.53	6.32	7.37	0.24
38	6.67	4.27	3.20	8.01	9.34	0.30
44	7.72	4.94	3.71	9.27	10.81	0.35
50	8.78	5.62	4.21	10.53	12.29	0.39
56	9.83	6.29	4.72	11.80	13.76	0.44
60	10.53	6.74	5.06	12.64	14.75	0.47

SPECIFICATIONS:

Properties	Measuring Units	Min	Max	Reference
Hardness	Shore "D"	75	81	ASTM D 2240-86 ACA-1-601
Specific Weight		1.44	1.480	ASTM D 792-91 ACA-1-602
Thermal Stability	Mins/ 177° C	100		ASTM D 2115-92 ACA-1-603
Tension Effort	kg/cm2	300		ASTM D 638-96 ACA-1-606

Rail Colors

